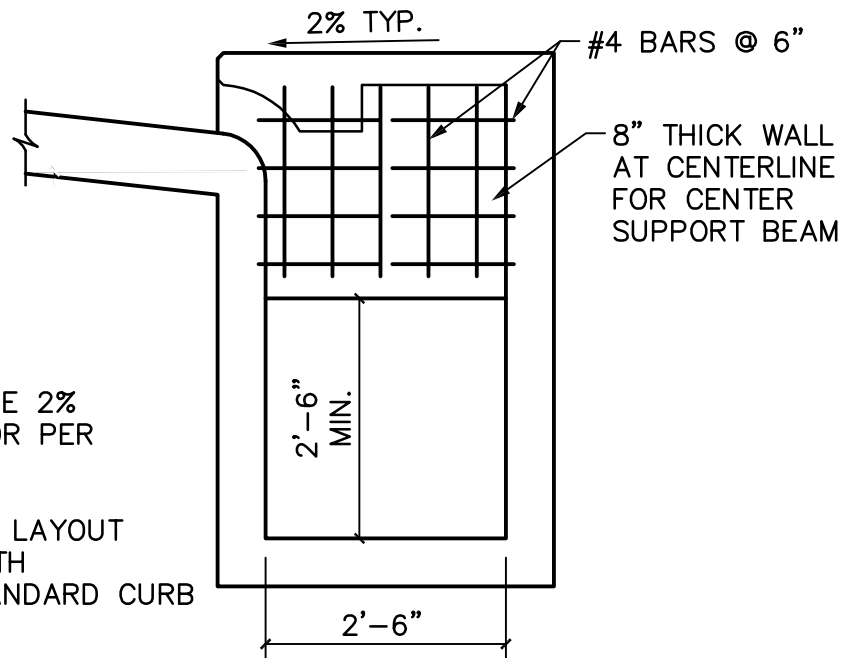


INLET SECTION FOR RECESSED AND STANDARD INLETS



NOTES:

1. TOP OF INLET SLOPE 2% TOWARDS STREET OR PER PLAN.
2. REINFORCING STEEL LAYOUT APPLICABLE TO BOTH RECESSED AND STANDARD CURB INLETS.

CENTER SUPPORT BEAM FOR 16' & 20' RECESSED AND STANDARD INLETS



STANDARD CONSTRUCTION DETAIL
**CENTER SUPPORT BEAM & INLET SECTION
 FOR RECESSED AND STANDARD INLETS**

SCALE: NTS

REVISED: JUN 2018

D06