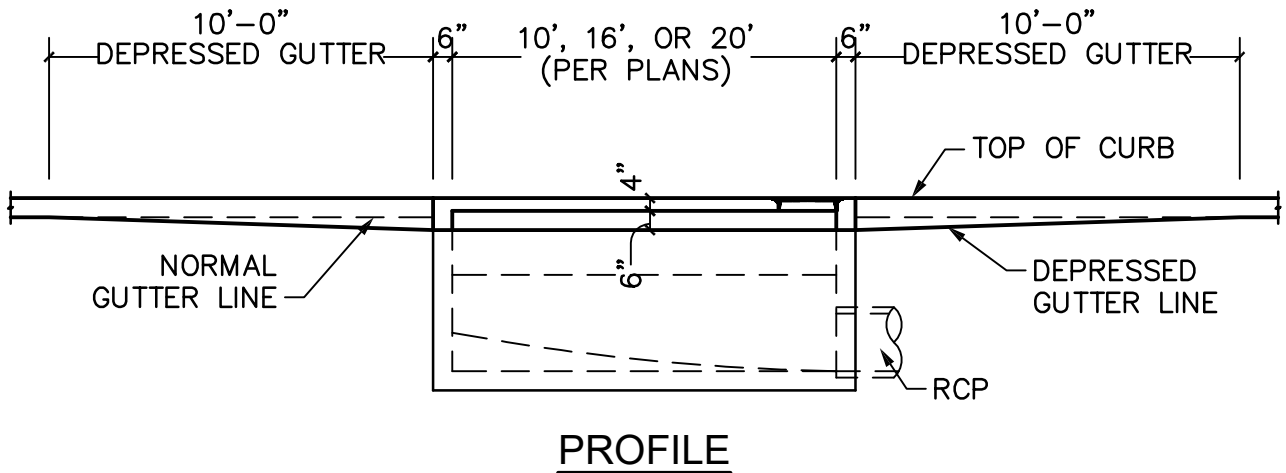


NOTES:

1. TOP OF INLET TO SLOPE 2% TOWARDS STREET OR PER PLAN.
2. CENTER SUPPORT BEAM REQUIRED FOR 16' AND 20' STANDARD CURB INLETS.
3. ADDITIONAL REINFORCING STEEL TO BE PLACED AROUND MANHOLE OPENING.



NOTE:

1. MANHOLE TO BE PLACED AT LOW END OF INLET. TWO MANHOLES ARE REQUIRED ON 16' AND 20' INLETS ONLY, ONE ON EACH END.
2. PIPE MAY BE PLACED IN ANY WALL, BUT SHALL NOT ENTER ANY CORNER OR BOTTOM.



STANDARD CONSTRUCTION DETAIL
STANDARD CURB INLET
SHEET 1 OF 2

SCALE: 1"=5'
 REVISED: JUN 2018
 D02